

AD-45x2Ri

45-lb Capacity Coin Stack Dryer

Standard Features:

- 20% more efficiency
- Fast drying times
- Two-point roller system
- Stainless steel fronts standard
- Stainless steel basket standard
- Trans-axial airflow
- Single-phase reversing basket
- Phase-7 micro-controls
- Available in gas only

Optional Features:

- Optimal double-pane door glass
- S.A.F.E. (Sensor Activated Fire Extinguishing System)

COIN



AD-45x2Ri Coin Stack Dryer

Why Purchase AD-45x2Ri?

Performance

The achievement: Through innovative design, the i-Series dryers achieve higher performance, industry-leading efficiency, shorter dry times and safer, more reliable operation. What an owner wants, an owner gets: saving money on utilities and maintenance. Anyone can say their dryers have the best performance. The Intelligent Dryer Series has the features to prove it.

Reliability

Demanding owners require more than just outstanding performance for their toughest laundry environments. To accommodate owners, we designed the i-Series with years of reliable operation as an absolute design necessity. A sturdy steel-welded cabinet, fewer moving parts and top-quality components are the foundation of the line. Costly repairs and unwanted downtime are now a thing of the past.

Your local ADC independent authorized distributor



www.adclaundry.com

AD-45x2Ri

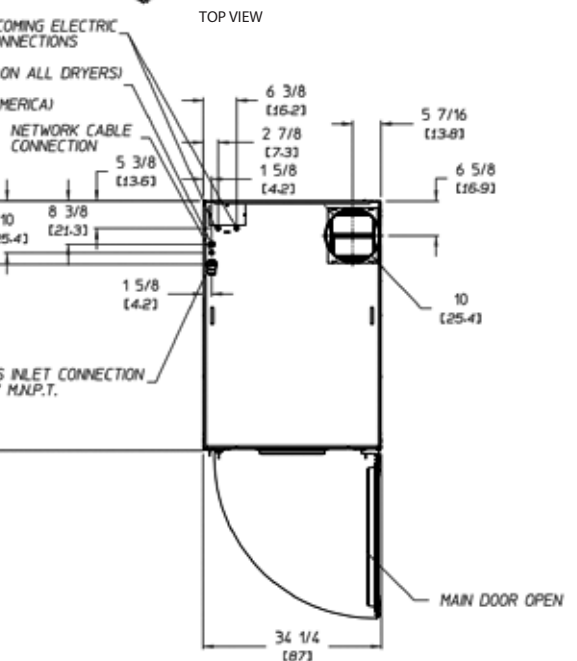
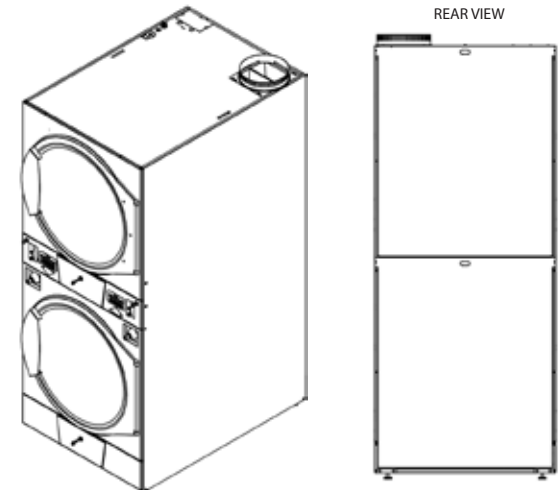
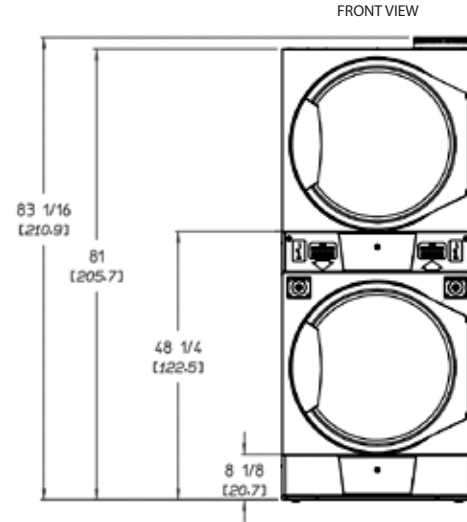
AD-45x2Ri Specifications

| | | |
|---|--|------------------------------|
| Maximum Capacity (dry weight) Per Pocket | 45 lb | 20.4 kg |
| Tumbler Diameter | 32-3/4" | 83.2 cm |
| Tumbler Depth | 30" | 76.2 cm |
| Tumbler Volume Per Pocket | 14.6 cu ft | 413.4 L |
| Tumbler/Drive Motor Per Pocket | 1/3 hp | 0.25 kW |
| Blower/Fan Motor Per Pocket | 1/2 hp | 0.37 kW |
| Door Opening (diameter) | 27" | 68.6 cm |
| Door Sill Height Top Pocket/Bottom Pocket | 50.4" / 10.3" | 128 cm / 26.2 cm |
| Dryers Per 20'/40' Container | 10 / 21 | |
| Dryers Per 48'/53' Truck | 25 / 28 | |
| Gas Model | Voltage Available | 120-240V 1ø 2w 50/60 Hz |
| | Approximate Net Weight | 640 lb 290 kg |
| | Approximate Shipping Weight | 700 lb 318 kg |
| | Airflow Per Pocket | 60 Hz 525 cfm 14.9 cmm |
| | | 50 Hz 440 cfm 12.5 cmm |
| | Heat Input Per Pocket | 94,000 Btu/hr 23,688 kcal/hr |
| | Exhaust Connection (diameter) Per Dryer | 10" 25.4 cm |
| Inlet Pipe Connection Per Dryer | 1/2" M.N.P.T. 1/2" B.S.P.T. (CE and Australia Only) | |

Electrical Specs are per pocket.

Electrical Service Specifications

| GAS HEAT | | | | | | | |
|-----------------|-------|--------------|------------|-------|--------------|-------|------|
| SERVICE VOLTAGE | PHASE | WIRE SERVICE | TOTAL AMPS | | BREAKER SIZE | | WIRE |
| | | | 60 Hz | 50 Hz | 60 Hz | 50 Hz | |
| 120 | 1ø | 2 | 8.8 | -- | 15 | -- | 14 |
| 240 | 1ø | 2 | 5 | -- | 15 | -- | 14 |
| 220 | 1ø | 2 | -- | 5.7 | -- | 15 | 14 |
| 230 | 1ø | 2 | -- | 5.7 | -- | 15 | 14 |



QY160045 1/17

88 Currant Road, Fall River, MA 02720-4781 • 508.678.9000